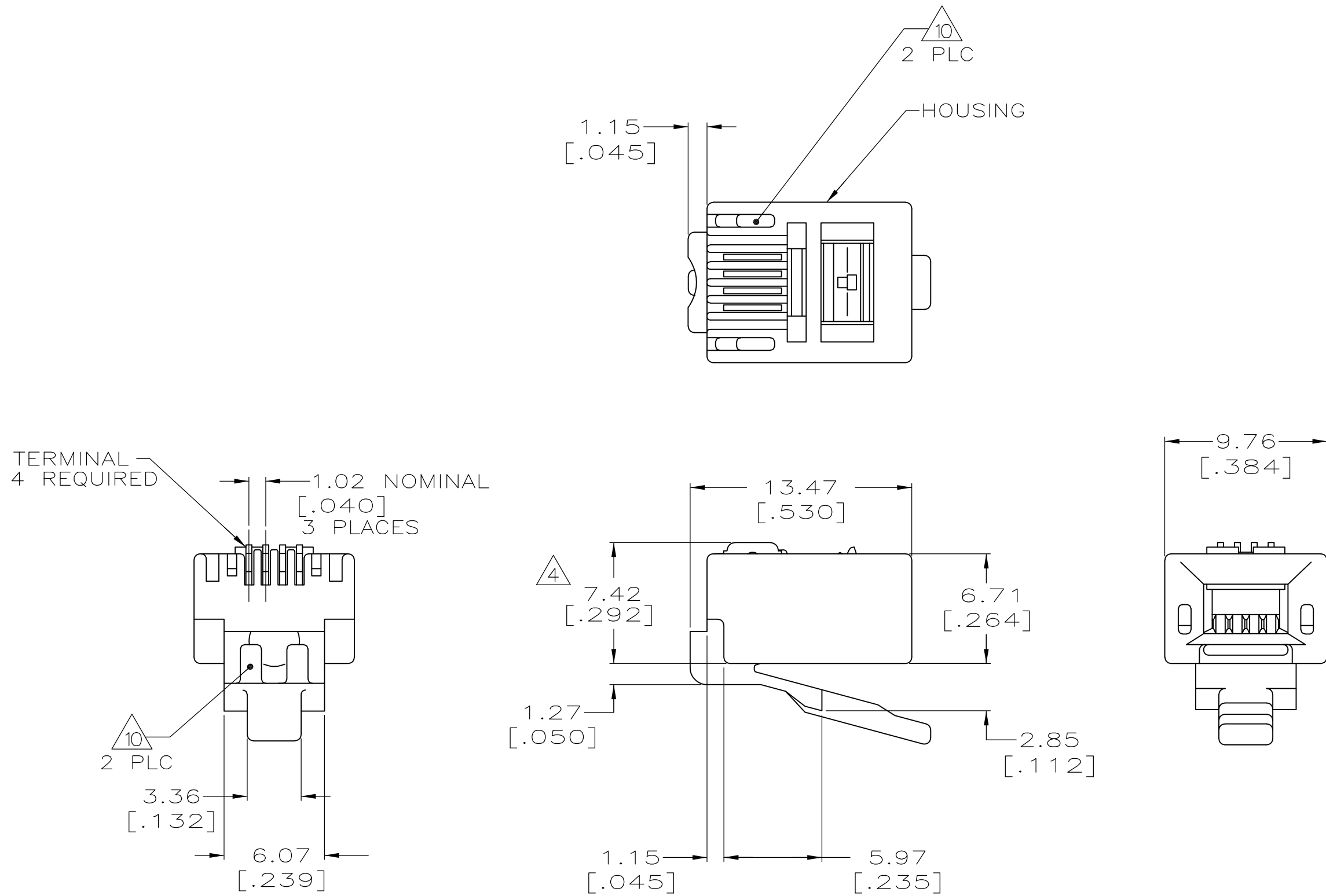


THIS DRAWING IS UNPUBLISHED. RELEASED FOR PUBLICATION  
 © COPYRIGHT BY TYCO ELECTRONICS CORPORATION. ALL RIGHTS RESERVED.

LOC	DIST	REVISIONS			GG	EL	
HM	00	P	LTR	DESCRIPTION	DATE	DWN	APVD
		U		REVISED PER EC 0511-0093-04	12MAY04	SW	BK
		V		OBS -1; REV ECO-07-027076	30DEC07	LH	BM
		W		REV ECO-08-007212	31MAR08	LH	BM



- ① DIMENSIONS ARE MAXIMUM UNLESS OTHERWISE SPECIFIED.
- ② MATERIAL: HOUSING-POLYCARBONATE,CLEAR. TERMINAL-0.36[.014] THICK PHOSPHOR BRONZE PLATED WITH 1.27μm[.000050] THICK GOLD IN LOCALIZED GOLD PLATE AREA, GOLD FLASH OVER THE REMAINDER, OVER 2.54μm[.000100] THICK NICKEL UNDERPLATE.
- 3. PLUG WILL ACCEPT 26 OR 28 AWG STRANDED WIRE HAVING A MAXIMUM INSULATION DIAMETER OF 0.99[.039] AND A MAXIMUM DIAMETER ROUND CABLE JACKET OF 2.54 [.100] OR OVAL CABLE JACKET OF 2.29 x 4.83[.090 x .190] MAXIMUM.
- ④ TERMINATED DIMENSION 6.15[.242] MAXIMUM.
- ⑤ 10 ASSEMBLIES PER PACKAGE.
- ⑥ 10,000 ASSEMBLIES PER PACKAGE.
- ⑦ 1000 ASSEMBLIES PER PACKAGE.
- ⑧ 100 ASSEMBLIES PER PACKAGE.
- ⑨ 25 ASSEMBLIES PER PACKAGE.
- ⑩ REELED PRODUCT ON STRIP DOES NOT HAVE VOID CORING ILLUSTRATED ON THIS DRAWING.

SUPERSEDED BY 5-641335-7	⑤	6-641335-3
	⑨	5-641335-7
	⑧	5-641335-3
	⑦	5-641335-2
	⑥	5-641335-1
<b>OBSELETE</b>	REELED ⑩	641335-1
	PACKAGED	PART NO

THIS DRAWING IS A CONTROLLED DOCUMENT.		DWN	YTP/JTA	9-1-93	Tyco Electronics Corporation Harrisburg, PA 17105-3608		
DIMENSIONS: mm [INCHES]		CHK	C.WHITT	9-15-93	NAME MODULAR PLUG ASSEMBLY, 4 POSITION, LINE		
TOLERANCES UNLESS OTHERWISE SPECIFIED:		APVD	J.TONEY	9-20-93	SIZE	CAGE CODE	DRAWING NO
0 PLC	± -	PRODUCT SPEC	108-1163	114-6016	A2	00779	C=641335
1 PLC	± -	APPLICATION SPEC	114-6016	WEIGHT	SCALE	SHEET	REV
2 PLC	± -				4:1	1 of 1	W
3 PLC	± -						
4 PLC	± -						
ANGLES	± -						
FINISH	± -						
MATERIAL	- ②						
	- ②						
CUSTOMER DRAWING							